



PERFECTLY INTEGRATED INTO THE ROOM

The recess cassette system for sun and glare protection

Easy to integrate with a variety of combinations

The recess cassette system is a modular system in which the recess profile can be easily and discreetly integrated into the room and a variety of ceilings. The basic recessed profile can be used either to hold an open roller blind or, in other variants, for the integration of an internal cassette.

Optional recess variants

The inner cassette, which is open at the bottom or edged in different versions, is optionally available as a flush-mounted variant for complete integration into the ceiling.

The recess profile can be installed with a cassette open at the bottom and, depending on the installation situation, can optionally be closed using a side cover.

Quick and easy to install

The recess profile is suitable for a wide variety of installation situations with numerous adaptation options for quick and easy installation. It can be integrated not only in suspended acoustic and plasterboard ceiling systems, but also in solid ceilings.

Flexible scope of application

Depending on the system height, the roller blind can be fully retracted and can be used not only on window fronts, but also, for example, as a practical partition or for presentation screens.

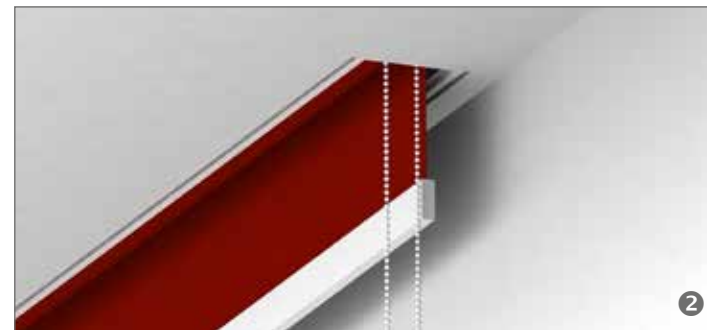
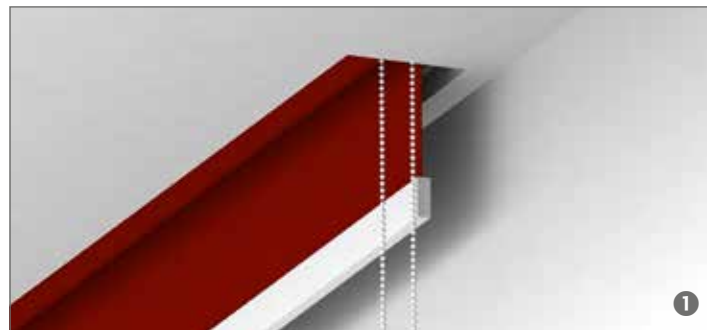
The roller blind is then simply added as a module. The cassette system can be combined with both standard and carrier roller blinds, and several roller blinds can even be inserted in one single recessed profile on request.

Perfect integration of architecture and design

In order to integrate the system even better and visually more uniformly into a room, its surface is powder-coated in white matt microstructure.

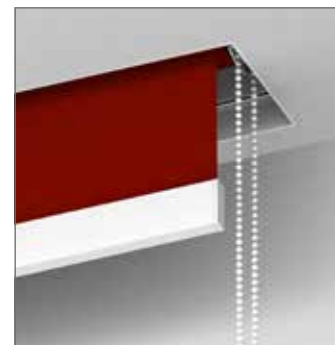
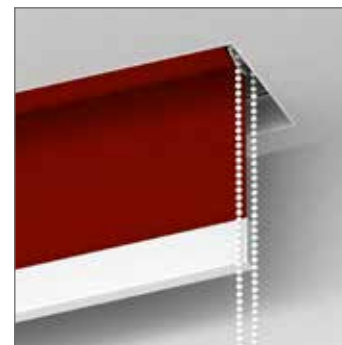
Recess options:

- 1 Open (recess profile only)
- 2 With internal cassette - open
- 3 With internal cassette - edged
- 4 With internal cassette - flush



Flexible internal cassette installation direction

If an internal cassette is being added to the recess profile, it doesn't matter in which direction the recess profile was installed in the ceiling. This prevents any installation errors. It can be decided on site whether the roller blind fabric is mounted rolling forward (standard) or rolling from the back by turning the inner cassette. Note: Turning the internal cassette changes the operation side, i.e. the cable exit, of the motorised roller blinds.



Recess options for innovative modernisations or new builds

Open recess profile – without internal cassette

- Recess profile up to 580 cm in width
- Drape height up to 340 cm
- Several individual roller blinds possible
- Roller blinds with chain pull or motor drives
- Internal side panel option also available* (recommended)

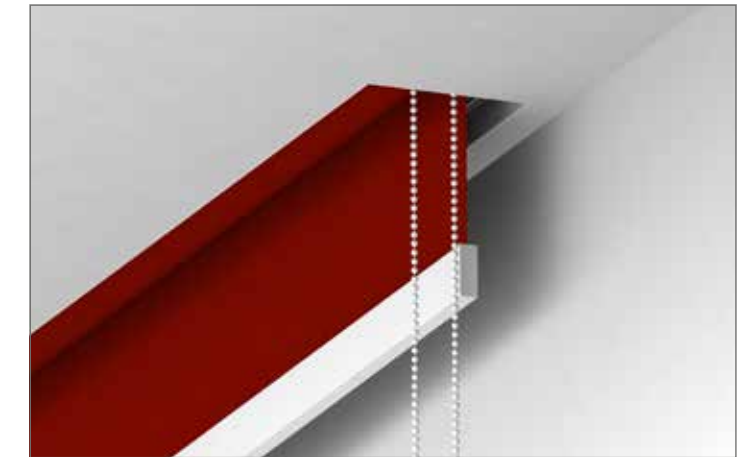
Planning notes

- Max. drape height up to 340 cm
- Max. roller blind order width = recess profile length

*When using the side cover for the recess profile, the installation dimension increases by 4 mm in length

Maximum widths for standard roller blinds

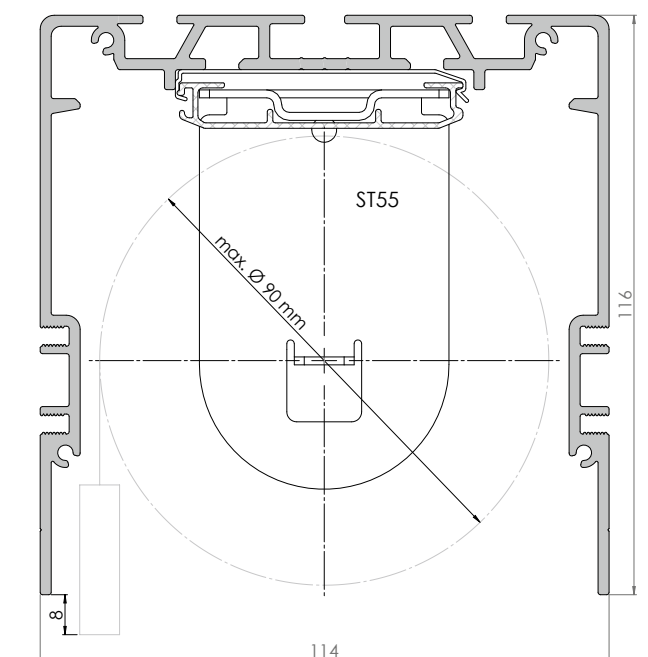
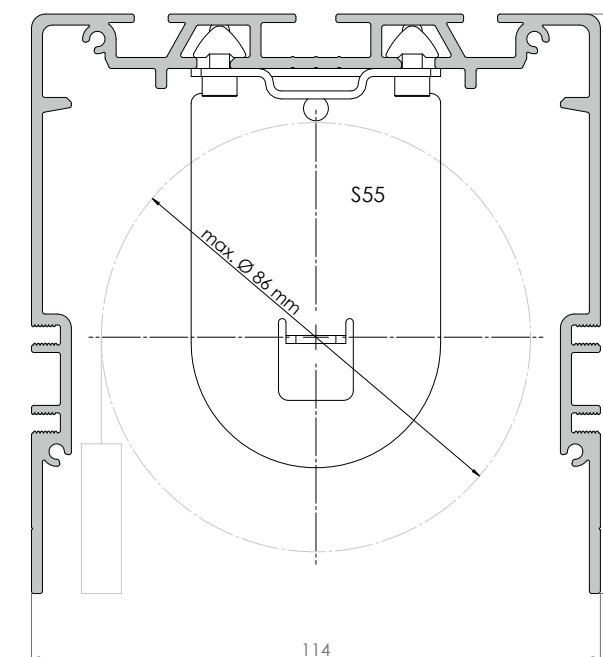
- S40 individual roller blind 200 cm
- S55 individual roller blind 280 cm
- Several individual roller blinds possible
- Combined S55 roller blinds 560 cm



Maximum widths for roller blinds with carrier profiles

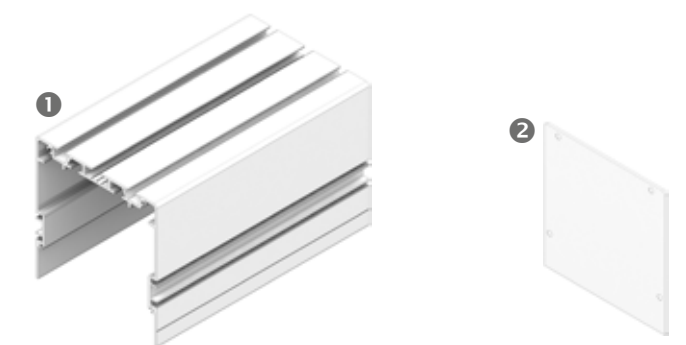
- ST40 individual roller blind 200 cm
- ST55 individual roller blind 280 cm
- Also suitable for STV40/STV55 models with Vario materials

Please see pages 10 and 11 for further details.



Component overview

- 1 1x recess profile
- 2 2x recess profile side cover (optional)



Recess options for innovative modernisations or new builds

Recess profile with internal cassette – open

- Recess profile up to 580 cm in width
- Drape height up to 280 cm
- With longitudinal or circumferential shadow gap
- Roller blinds with chain pull or motor drives
- Internal side panel option also available* (recommended)

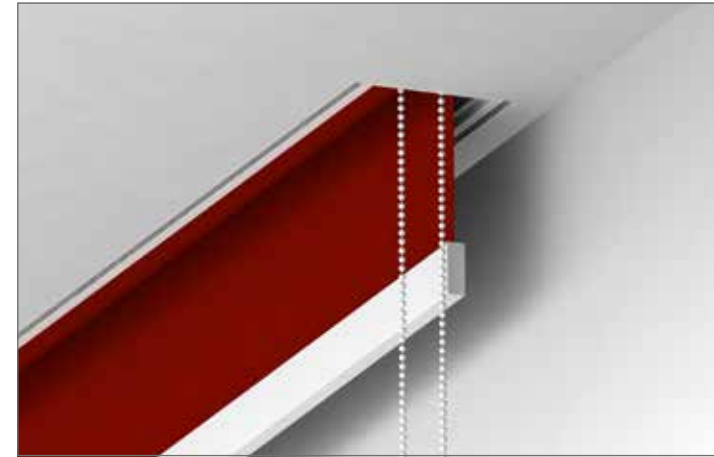
Planning notes:

- Max. drape height up to 280 cm
- Max. roller blind order width = recess profile length less 4 mm

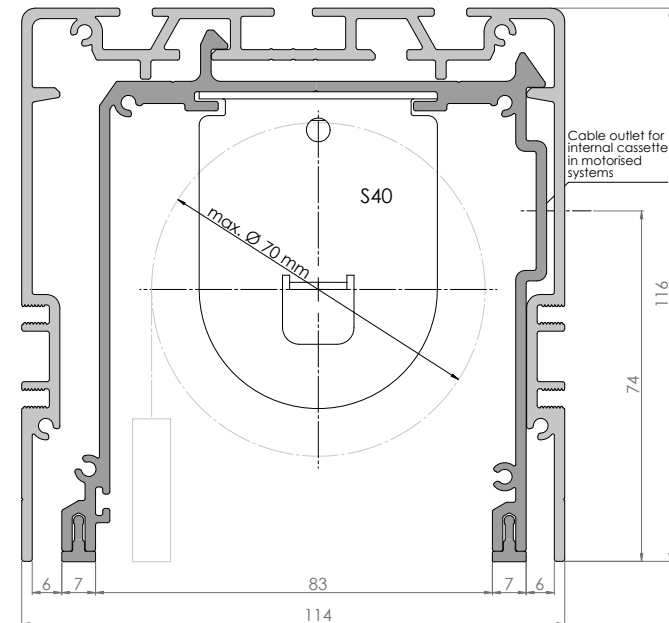
*When using the side cover for the recess profile, the installation dimension increases by 4 mm in length

Maximum widths for standard roller blinds

- S40 individual roller blind 200 cm
- S55 individual roller blind 280 cm
- Several individual roller blinds possible
- Combined S55 roller blinds 560 cm

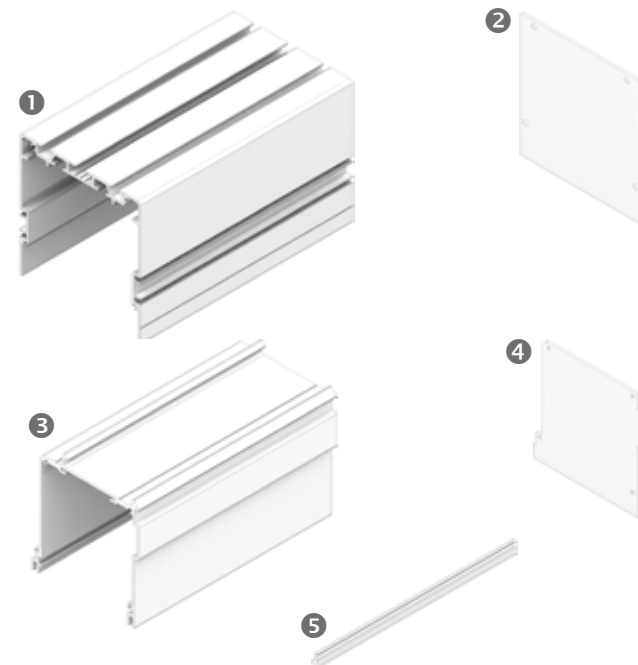


Please see pages 10 and 11 for further details.



Component overview

- 1 x recess profile
- 2x recess profile side covers (optional)
- 1 x internal cassette
- 2x internal cassette side covers
- 2x edge covers



Recess options for innovative modernisations or new builds

Recess profile with internal cassette – edged

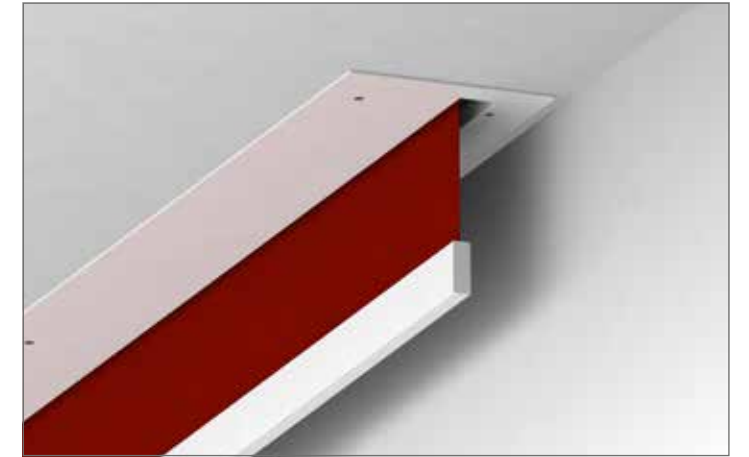
- Recess profile up to 580 cm in width
- Drape height up to 280 cm
- Motorised roller blinds (chain pull not available)
- With overhanging edges, for installation on suspended or acoustic ceilings
- The edges are visibly screwed in longitudinally with the internal cassette in 50 cm intervals
- Simple maintenance and service possible

Planning notes:

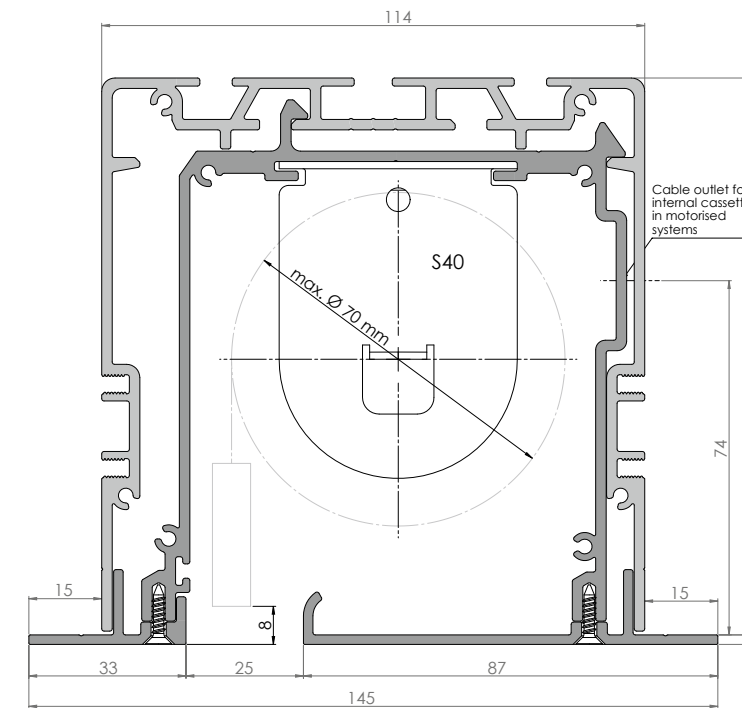
- Max. drape height up to 280 cm
- Max. roller blind order width = recess profile length less 4 mm

Maximum widths for standard roller blinds

- S55 individual roller blind 280 cm*
 - Several individual roller blinds possible
 - Combined S55 roller blinds 560 cm
- (*S40 supports are installed)

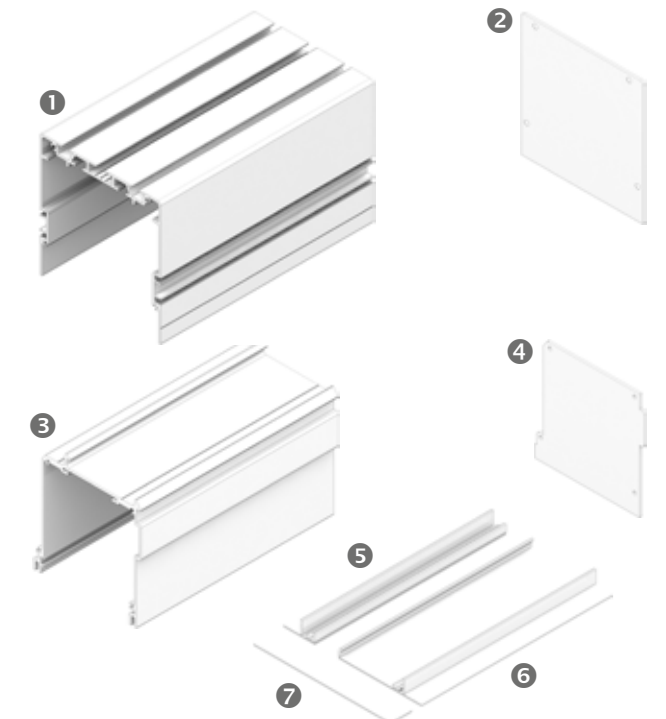


Please see pages 10 and 11 for further details.



Component overview

- 1 x recess profile
- 2x recess profile side covers (optional)
- 1 x internal cassette
- 2x internal cassette side covers
- 1 x narrow edge
- 1 x wide edge
- 1 x side edge (optional)



Recess options for innovative modernisations or new builds

Recess profile with internal cassette – flush

- Recess profile up to 300 cm in width
- Drape height up to 280 cm
- Motorised roller blinds (chain pull not available)
- Here, the edge is only screwed on at the ends with the side sections of the internal cassette
- Simple maintenance/service possible
- Internal side panel option also available* (recommended)

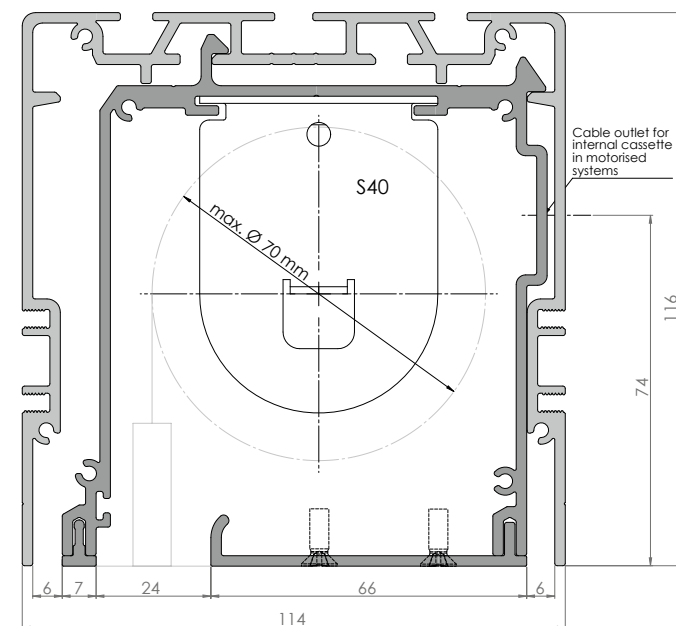
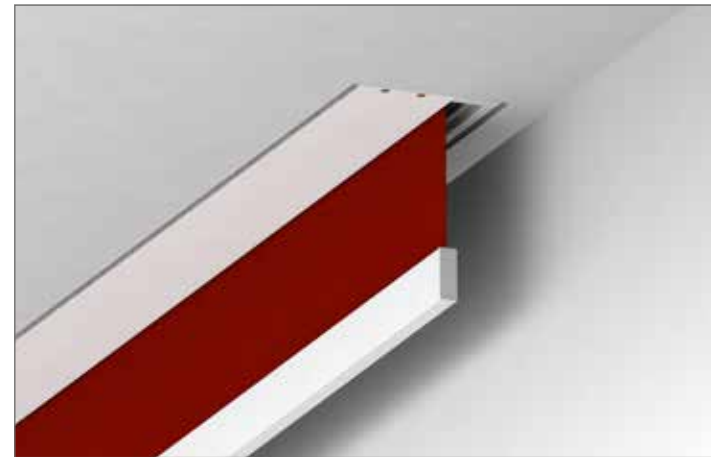
Planning notes:

- Max. drape height up to 280 cm
- Max. roller blind order width = recess profile length less 16 mm

*When using the side cover for the recess profile, the installation dimension increases by 4 mm in length

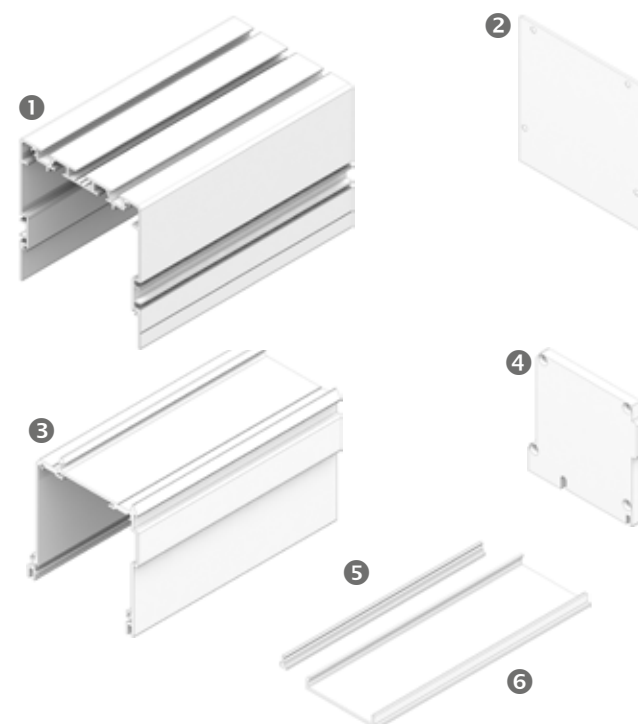
Maximum widths for standard roller blinds

- S55 individual roller blind 280 cm*
- (*S40 supports are installed)



Component overview

- 1x recess profile
- 2x recess profile side cover (optional)
- 1x internal cassette
- 2x integral side parts
- 1x edge cover
- 1x integral edge



Prices for the systems shown are available on request. If you have a specific project in mind then we will also be happy to provide a personalised quote.

Quick and flexible installation

The installation direction of the recess profile is irrelevant to the subsequent installation of the roller blind, which eliminates the potential for mistakes to be made during the installation process. The basic recess profile is set up to accommodate either the subsequent installation of a roller blind with a carrier profile that

can be clipped in place, or an additional internal cassette in various designs.

The recess profile is already fitted with clips at the factory to facilitate the installation of a roller blind with a carrier profile. This results in a significant reduction in the time it takes to install the roller blinds.

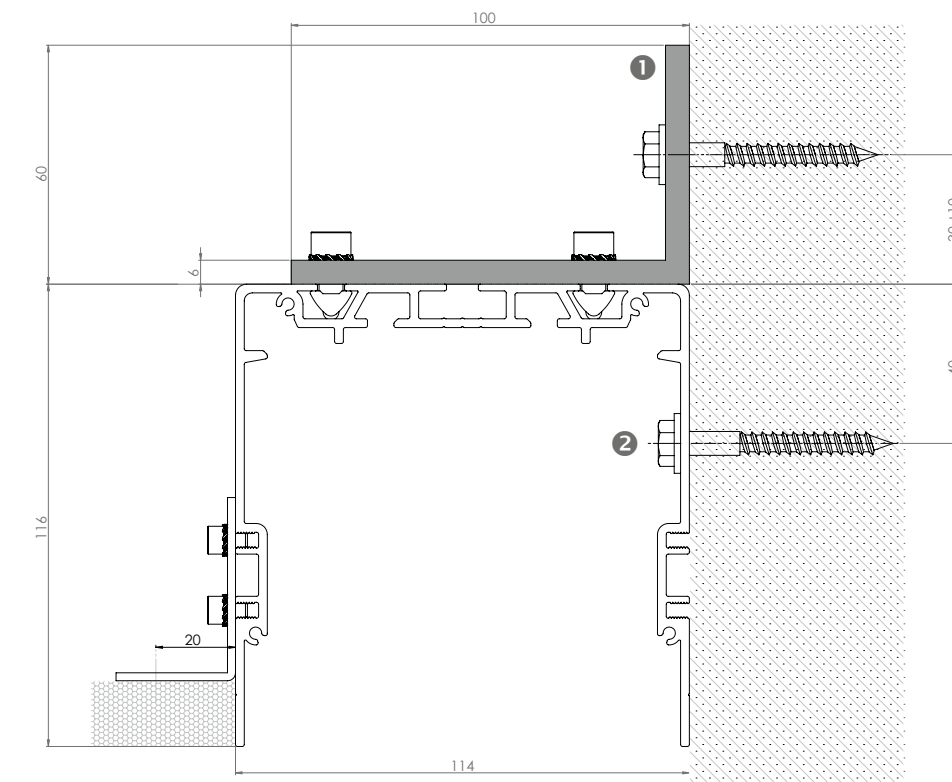
Direct wall installation or via wall brackets

Two installation options are available when positioning the recess profile directly on a wall:

- 1 Using a mounting bracket (available as an accessory), which can be fixed to the installation profile using terminal blocks and freely positioned to suit the length of the recess profile.

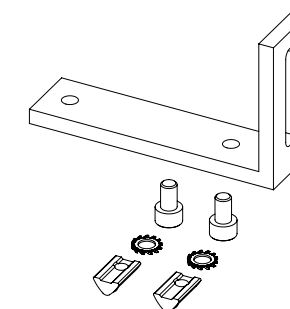
- 2 Screwing the recess profile directly to the wall (fastening attachment not included in scope of delivery, no pre-bored holes).

Both installation options still allow for the internal cassette to be integrated.



Optional assembly material

- 1 **Mounting bracket for direct wall installation** (fastening material to wall provided by the customer)
Art. no: Z00003
Consisting of:
 - 1 x mounting bracket, aluminium blank
 - 2 x M6 terminal blocks
 - 2 x M6 screws
 - 2 x lock washers, 6.3 mm



Can be ordered separately depending on the installation situation

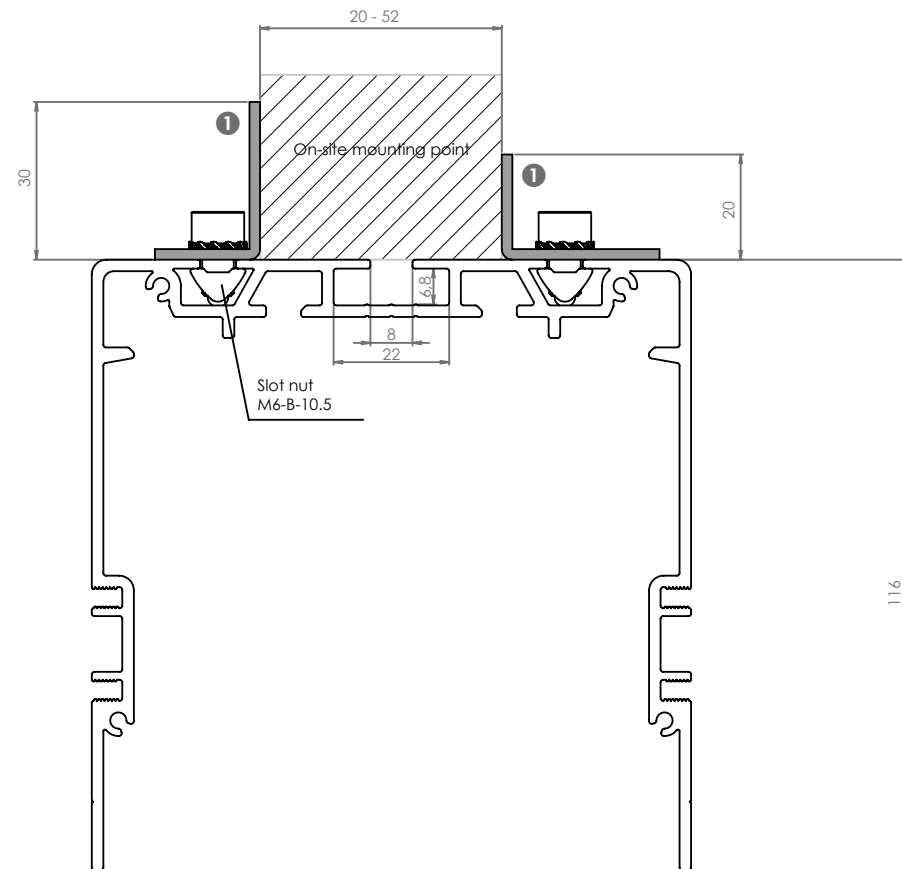
The assembly material is **not** included in the scope of delivery as standard. Please order separately.

Variable ceiling installation

Freely adjustable mounting bracket

Variable mounting brackets can be used for suspension from above. These can either be screwed to an on-site substructure or, for example, combined with conventional suspension systems (e.g. Nonius). The fastening dimensions are variably adjustable within a width range of 20 to 52 mm.

The option is also available to use customer-specific installation elements that are screwed to the installation profile using terminal blocks. It is even possible to fasten the bracket to the ceiling directly using the profile (screwed directly).



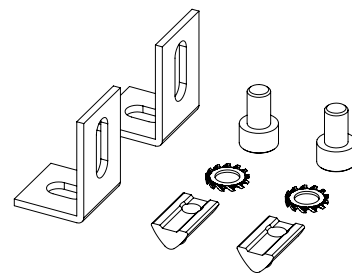
Optional assembly material

1 Fastening set (1 pack) for variable attachment of an on-site suspension/substructure

Art. no: Z00002

Consisting of:

- 20 x top mounting brackets, aluminium blank
- 20 x M6 terminal blocks
- 20 x M6 screws
- 20 x lock washers, 6.3 mm



Can be ordered separately depending on the installation situation

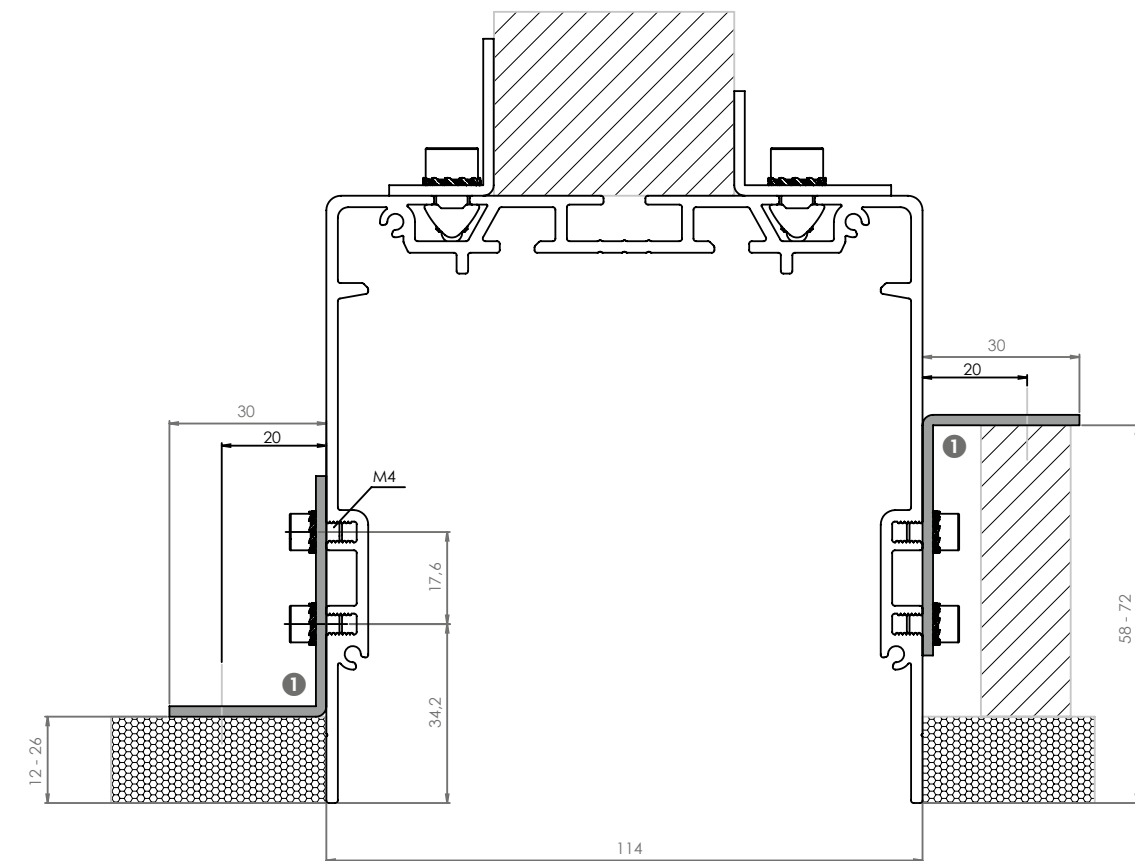
The assembly material is **not** included in the scope of delivery as standard. Please order separately.

Variable ceiling installation

Crack-free installation

In order to prevent cracks from forming in the joint, the weight of the recess profile must always be supported either from above or by being screwed to a wall at the side. Lateral support alone is not sufficient in this case.

The variable lateral support brackets for facilitating on-site ceiling installation prevent cracks from forming in the joint between the ceiling and the installation profile.



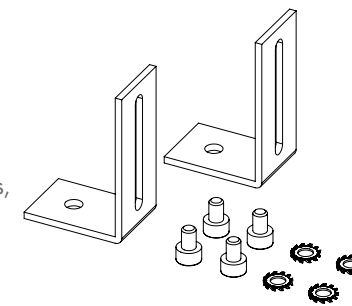
Optional assembly material

1 Fastening set (1 pack) for variable ceiling support

Art. no: Z00002

Consisting of:

- 20 x side mounting brackets, aluminium blank
- 40 x M4 screws
- 40 x lock washers, 4.3 mm



Can be ordered separately depending on the installation situation

The assembly material is **not** included in the scope of delivery as standard. Please order separately.

Roller blind designs and functional solution options

S40 and S55 chain-pull roller blinds



S40

The thickness of the rods varies depending on the dimensions; widths of up to 280 cm are possible. Over and above this maximum dimension, widths of up to 560 cm can be achieved (with a material gap of just 24 mm) by:

- combining a motor on one side with synchronously moving drapes (rods), or
- combining manual operating mechanisms on both sides with individually adjustable drapes (rods).



S55

Model S roller blinds come in two sizes featuring balanced proportions and an exceptional level of functionality. As the gearbox is positioned slightly lower, the drape can be positioned just as you want with the greatest of ease.



	S40	S55
Dimensions in cm		
Max. width	200	280
Max. height	340	340
Bottom end profile/ component colours		
White microstructure/White	Standard	Standard
Anodised aluminium/Grey	○	○
Black/Black	○	○
Options		
Metal bead chain	MO	MO
LITIO motor drive	-	MO
230 V motor drives	-	MO
2 roller blinds combined	-	MO
MO=Option at additional cost ○ =Option - =Not available		

Roller blind designs and functional solution options

ST40 and ST55 chain-pull roller blinds



ST40

The ST roller blind support is already pre-assembled on a carrier profile at the factory.

A convenient chain drive stops the drape at whatever height you want. The large model variant is available in widths of up to 280 cm.



ST55



Fastening clip

The variable fastening clips are pre-assembled at the factory to simplify the process of installing the carrier profile roller blind into the recess profile. The carrier profile roller blind simply has to be clipped into place on site.

	ST40	ST55
Dimensions in cm		
Max. width	200	280
Max. height	340	340
Bottom end profile/ component colours		
White microstructure/White	Standard	Standard
Anodised aluminium/Grey	○	○
Options		
Metal bead chain	MO	MO
LITIO motor drive	-	MO
230 V motor drives	-	MO
MO=Option at additional cost ○ =Option - =Not available		

Further information on KADECO can be found on our website at www.kadeco.de.

Functional fabrics

KADECO roller blinds come complete with an infinite variety of applications, colours and materials to choose from. To simplify the design and planning processes, the fabric qualities have been sorted by colour and application within the property. Our clearly designed theme charts provide you with a quick overview and can offer you the advice you need to suit each individual application.

Would you like to be able to use your roller blind to control how much light you let into each room? With KADECO roller blinds, you can take advantage of a whole host of practical solutions to suit the amount of daylight in question and your specific glare protection requirements.

LevelGreen



The **LevelGreen fabrics** extend the range more towards environmentally friendly products. By using recycled materials, we conserve resources and protect the environment. The fabrics are certified according to the newest sustainability standards.

TreviraCS



The permanently flame-resistant **TreviraCS fabrics** offer convenience and security. They guarantee long-term security and meet global fire safety regulations. **TreviraCS fabrics** impress with both the look and feel of the textiles.

LightControl



The **LightControl fabrics** guarantee a fully comfortable working environment. They feature various transmittance levels to provide the ideal glare protection for each workplace, for windows facing any direction. The fabrics are PVC-free and certified according to OEKO-TEX® Standard 100.

AluReflect



The aluminised fabrics of the **AluReflect range** are available in various designs and transparency levels. In addition to good glare protection at work, heat protection also plays an important role and the desired transparency can be perfectly tailored to your needs.

ScreenStyle

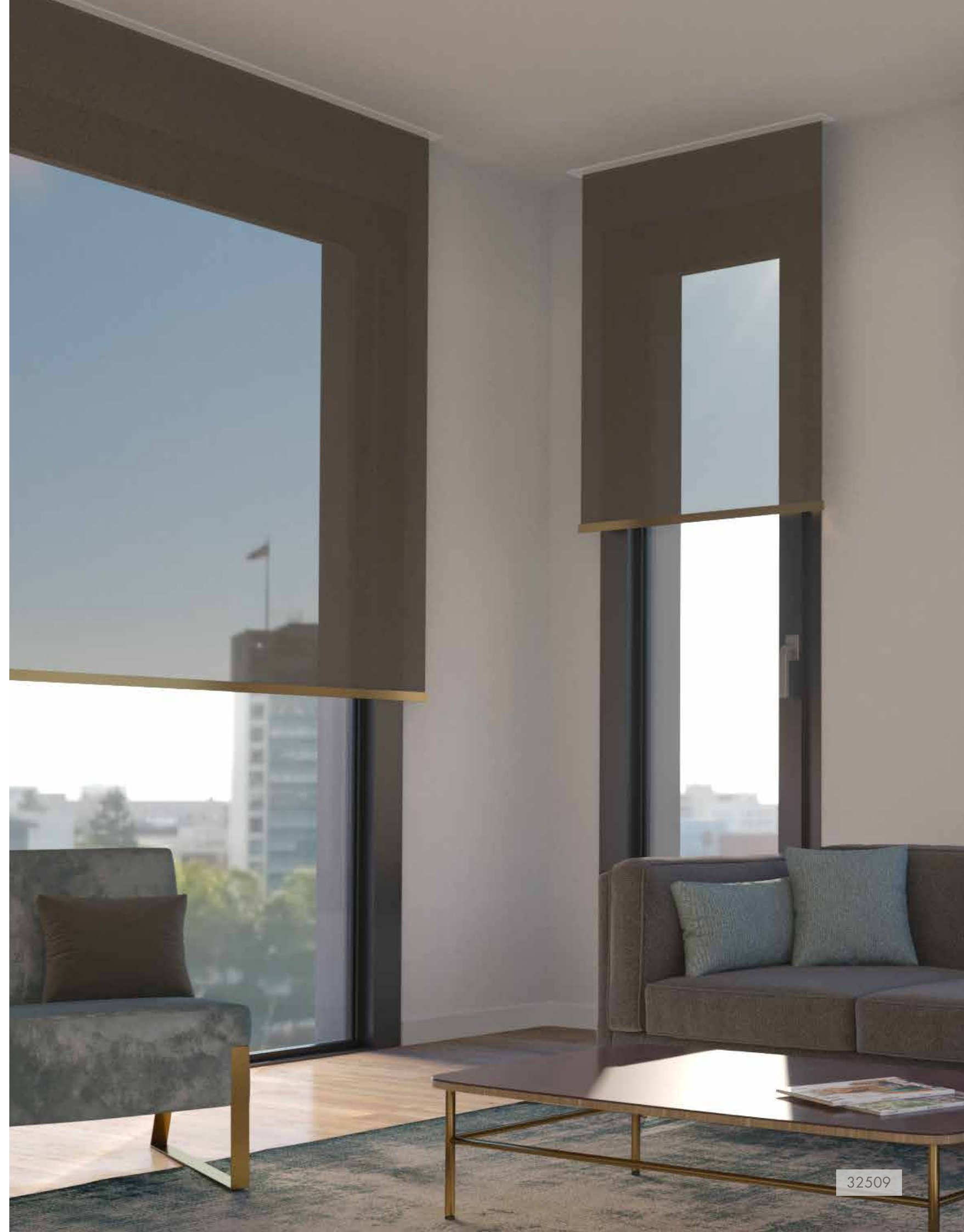


The **ScreenStyle** fabric range features a textile look and a pleasant transparency to the outside world. The fabrics are certified according to the newest sustainability standards and comply with global fire safety regulations.

ScreenClassic



Good light control can considerably improve the quality of a room. The **ScreenClassic fabrics** have been produced with great care for resources and certified in accordance with the latest sustainability requirements. The four different opening options can be specifically coordinated to meet the light requirements of the room.



Roller blind fabrics – suitability for use in workstations

Provide the best light for your employees

Daylight makes you feel happy, energetic and productive. These positive attributes can also be brought into the workplace – without unpleasant side-effects such as glare, heat radiation or reflections on computer screens. The design of modern workplaces actually has such a significant effect on the health and well-being of employees, that information, guidelines and legal regulations have been created to ensure this is taken into consideration.

From 1996 to 2016, the German Screen Work Ordinance (BildscharbV) represented the German implementation of the authoritative EU regulations in this area.

When the **German Workplace Ordinance (ArbStättV)** was amended on 3 December 2016, the BildscharbV was merged with the **ArbStättV**, which is legally binding in Germany. The **ArbStättV** covers every aspect of designing workplaces and working conditions with regard to the health and safety of employees.

What are considered good conditions in monitor-based workplaces?

- Every window must be fitted with a suitable, individually adjustable privacy shield and glare protection device
- Bothersome reflections and glares on screens must be prevented as much as possible
- Equipment should be adjustable so that users have a line of sight to the outside world, for most of the time at least
- It must be possible to react flexibly to changing daylight conditions
- The workplace must be sufficiently lit
- Screens must be at an approximately 90° angle in relation to the window in order to reduce reflections in general (note examples provided by the German Social Accident Insurance)

Practical information about implementing the EU directive can be found at: German Social Accident Insurance (DGUV) Information 215-444 (sun protection in offices).

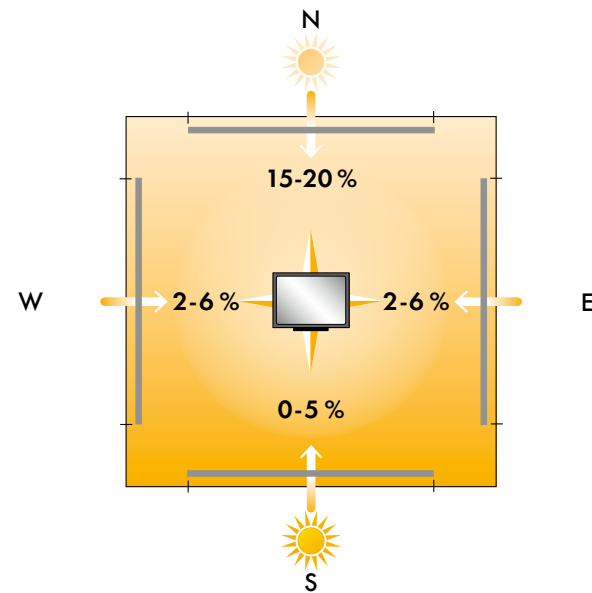
Find easy, attractive ways to implement legal requirements with KADECO

Workplace windows must have an effective and flexible glare protection system in place so that employees can benefit from daylight, but won't be disturbed. Since you can individually react to the amount of incident light with KADECO's interior privacy screens and sunscreens, these are suitable as internal glare protection at the workplace.

Current legal requirements, standards and directives:

- German Workplace Ordinance, ArbStättV, Appendix 6 (measures for the design of monitor-based workplaces)
- Technical regulations for workplaces, ASR 3.4 (lighting)
- German Social Accident Insurance DGUV Information 215-444
- Lighting of work places – Indoor work places, EN 12464-1
- Ergonomic requirements for office work with visual display terminals, EN ISO 9241-6

Recommended transmission values





Note:

This information does not claim to be complete, and does not exclude any other equivalent technical solutions that are equally safe. In certain unfavourable situations, additional external glare protection may be necessary.

Suitability for use in work areas

Fabrics marked as follows are suitable for monitor-based workplaces facing the following directions:

 South - West - North - East
Light transmission of the fabric 0-5 %

 West - North - East
Light transmission of the fabric 6 %

 North
Light transmission of the fabric 7-20 %

You can find additional information on this topic in the brochure "Optimale Lichtbedingungen für Bildschirmarbeitsplätze durch innenliegenden Sicht- und Sonnenschutz" (Optimal lighting conditions for monitor-based workplaces via internal privacy screens and sunshades) by the ViS (Association of internal sight and sun protection systems).

Notes



You can find our current Terms and Conditions on our website at www.kadeco.de.

KADECO Sonnenschutzsysteme GmbH · www.kadeco.de

© KADECO · MPURO-GB-€-1018 · Full or partial reproduction subject to prior written approval.
Subject to technical enhancements and modifications without prior notice; errors and omissions excepted.